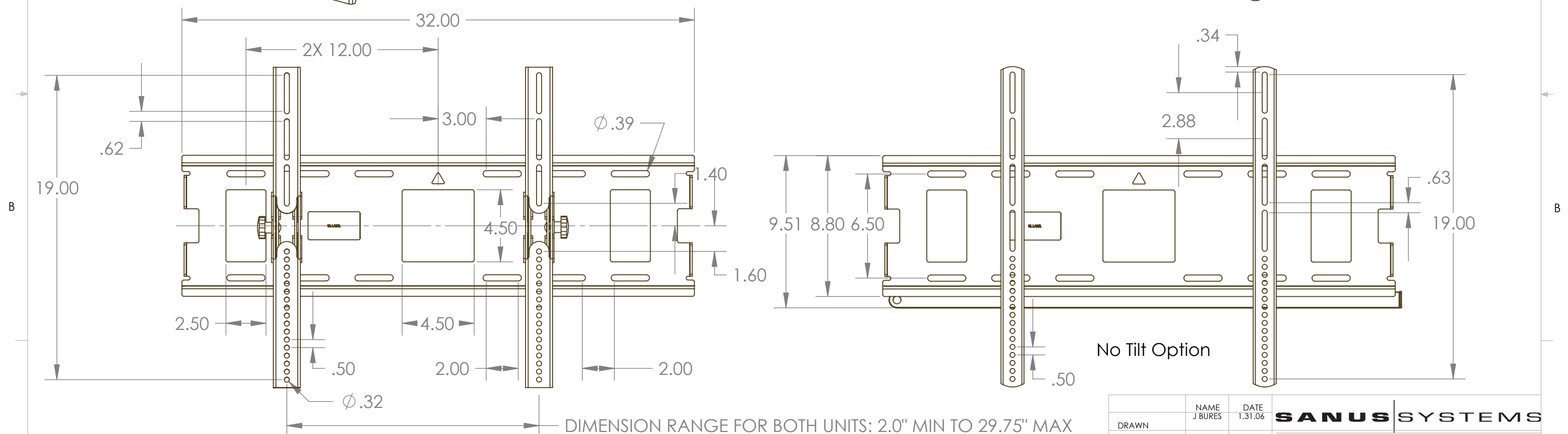
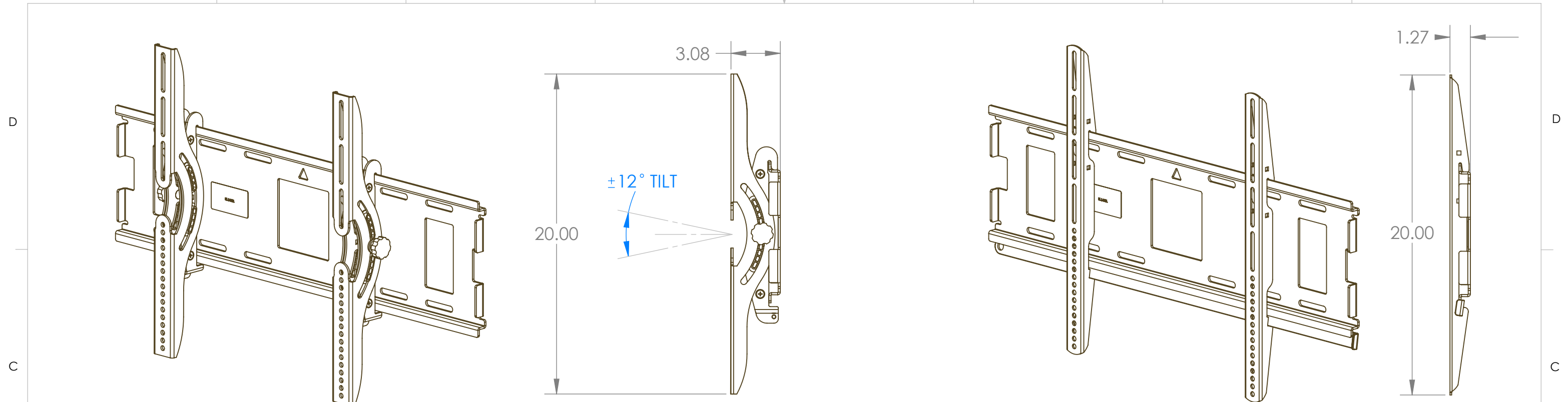


8 7 6 5 4 3 2 1



Tilt Option

No Tilt Option

DIMENSION RANGE FOR BOTH UNITS: 2.0" MIN TO 29.75" MAX

PROPRIETARY AND CONFIDENTIAL
 This product and/or its method of use is covered by one or more of the following patent(s): U.S. Patent numbers D405,988; D407,244; D405,630; 6,349,657; D429,581; D446,053; D440,079; 6,098,822; D494,978; D495,714; D496,367; D507,477; D494,596; D495,713; and D493,800 and foreign equivalents; European Patent number 000170717-0001; 000170717-0002; 1228942; and 106588 and foreign equivalents; and other patents issued or patents pending in the U.S. and other countries that are either assigned or exclusively licensed to Sanus Systems.

| | | | |
|-----------|--------------------------------|-----------------|------------------------|
| | NAME J BURES | DATE 1.31.06 | SANUS SYSTEMS |
| DRAWN | | | |
| CHECKED | | | TITLE: SXDP3 |
| ENG APPR. | 6802 - Sanus Complete Assembly | | |
| NOTES: | | | |
| | | | SHEET 1 OF 1 |

8 7 6 5 4 3 2 1